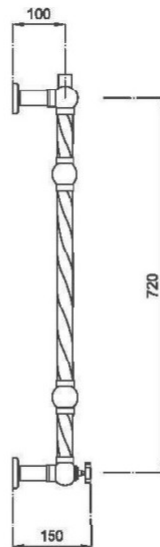
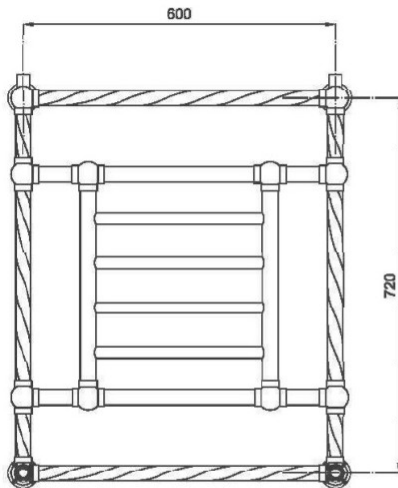


## VD 3943



### VD 3943

<b>Material</b>	brass
<b>Tube</b>	dia. 30x1.5mm - 22X1.5
<b>Height</b>	720mm
<b>Width</b>	600mm
<b>Depth</b>	150mm
<b>Interaxis</b>	600 +/- 15mm
<b>Weight</b>	12.700 kgs
<b>Fixing system</b>	s-unions 1/2" G to the water supply
<b>Heat Output</b>	315 watts according to EN 442-2
<b>Btu/h</b>	1074
<b>Operating pressure</b>	6 Bar/ Max. <b>working pressure</b> 12 Bar

