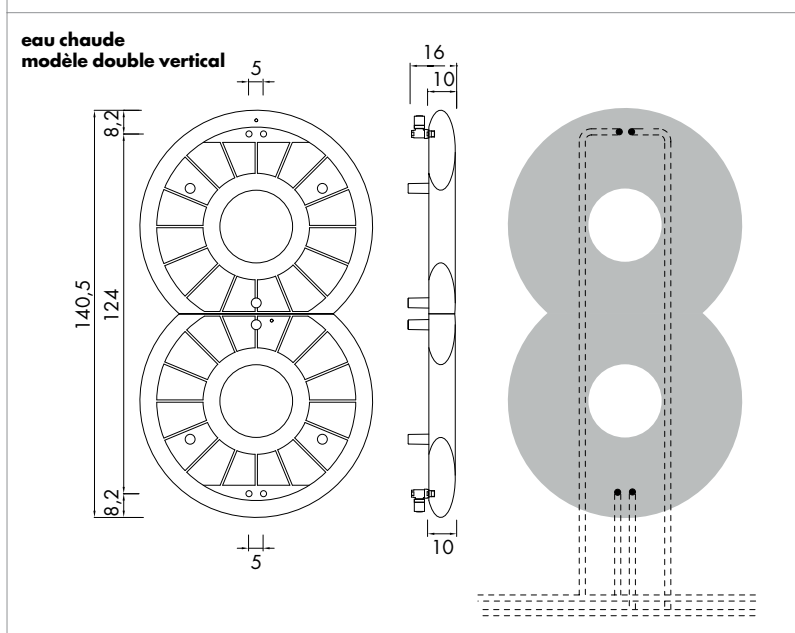
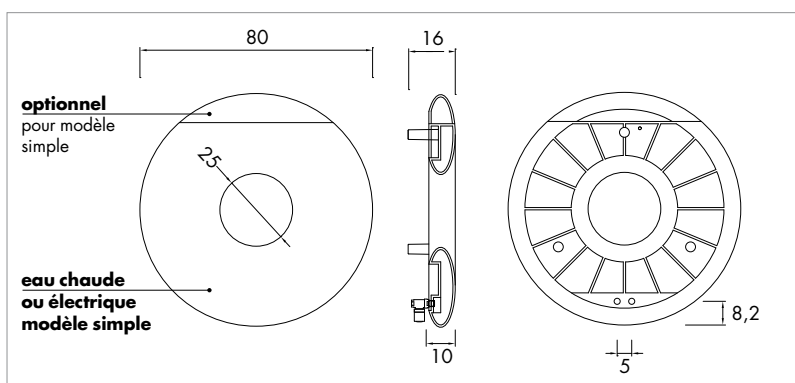
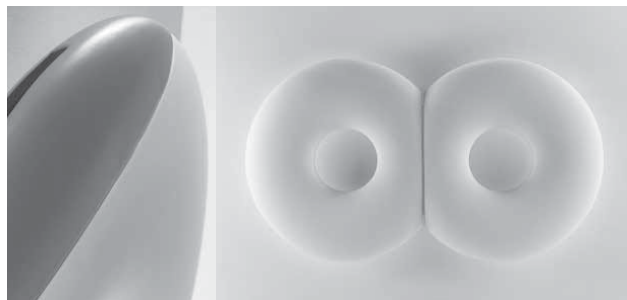
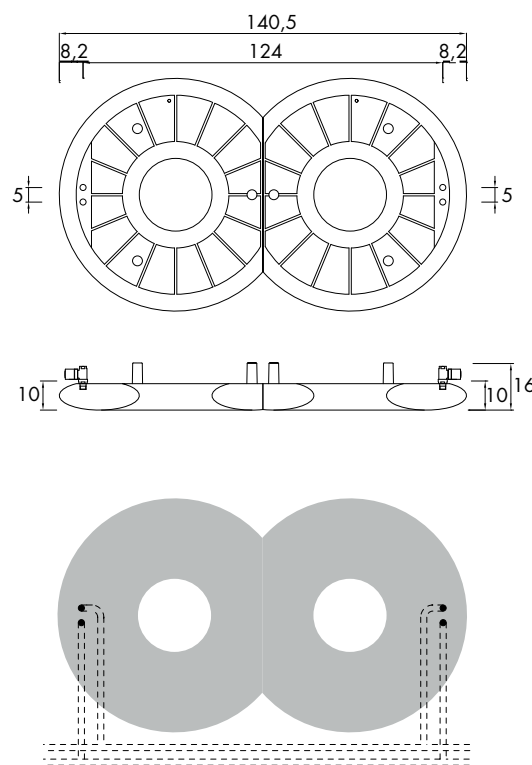


VD 5517



eau chaude modèle double horizontal



A* cm	inches	B* cm	inches	I* cm	inches	L*	BTU Δt 50°	watt Δt 50°
eau chaude / acqua calda / hot water / warm Wasser / agua caliente								
80	31.5	80.0	31.5	5.0	2.0	16.3	1 874	549
électrique / elettrico / electrical / elektrische / eléctrico								
80	31.5	80.0	31.5			-	-	750

acqua calda / hot water / eau chaude / warm Wasser / agua caliente						L*	BTU Δt 50°	watt Δt 50°
140.5	55.3	80.0	31.5	5.0	2.0	32.7	3 747	1 098
80	31.5	140.5	55.3	5.0	2.0	32.7	3 747	1 098

A* = altezza / height / hauteur / Höhe / alto B* = larghezza / width / longueur / Breite / ancho art* = articolo / model / modèl / Artikel / artículo
P* = pagina / page / page / Seite / página I* = interasse / pipe centres / distance entre depart et retour / Achsabstand / distancia entre las conexiones
L* = contenuto acqua / content / volume / Inhalt / volumen

Kcal = Watt x 0.860
BTU = Watt x 3.413

Watt Δt 20° = Watt Δt 50° x 0.321
Watt Δt 30° = Watt Δt 50° x 0.531
Watt Δt 40° = Watt Δt 50° x 0.758
Watt Δt 60° = Watt Δt 50° x 1.254

p max = 3.5 bar