

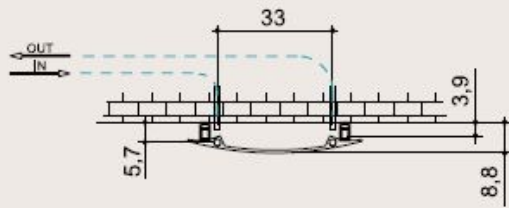
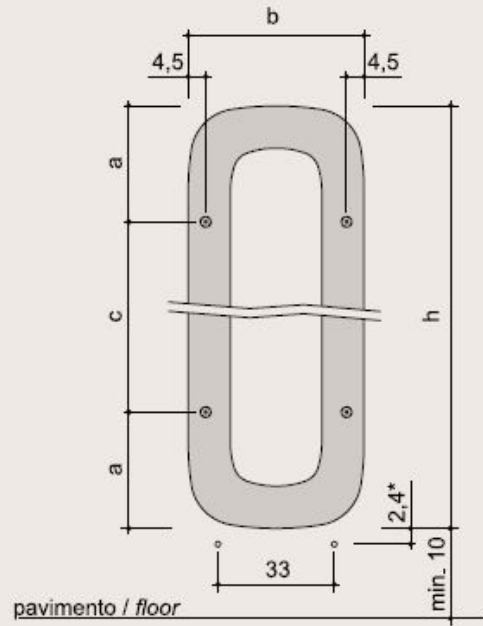


VD 1111

hxb (cm)	n numero elementi/ elements number	peso a vuoto/ weight empty (kg)	volume d'acqua/ water volume (dm ³)	a (cm)	c (cm)	d (cm)	e (cm)	Qs resa termica/ thermal yield Δt 50°C (watt)	Q potenza elettrica/ electrical power (watt)	versione mista/ combined version	fissa/ not opening	fissa**/ not opening**
verticale/vertical												
120,0x49,0	1	11,4	0,66	33,0	54,0	-	-	429	-	-	•	-
150,0x49,0	1	13,8	0,82	33,0	84,0	-	-	511	-	-	•	-
180,0x49,0	1	17,1	0,99	33,0	114,0	-	-	608	-	-	•	-
orizzontale/horizontal												
49,0x120,0	1	11,4	0,66	33,0	54,0	-	-	429	-	-	-	•
49,0x150,0	1	13,8	0,82	33,0	84,0	-	-	511	-	-	-	•
49,0x180,0	1	17,1	0,99	33,0	114,0	-	-	608	-	-	-	•



Version Verticale



Version Horizontale

