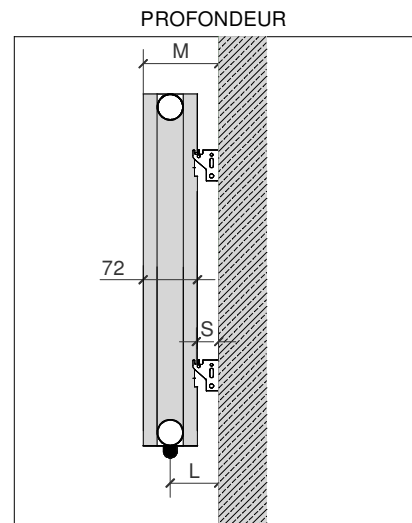
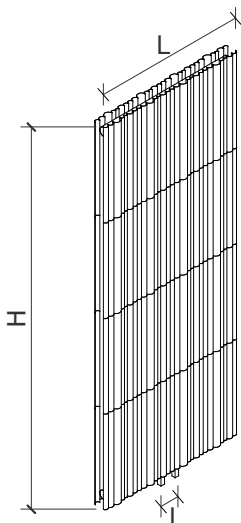


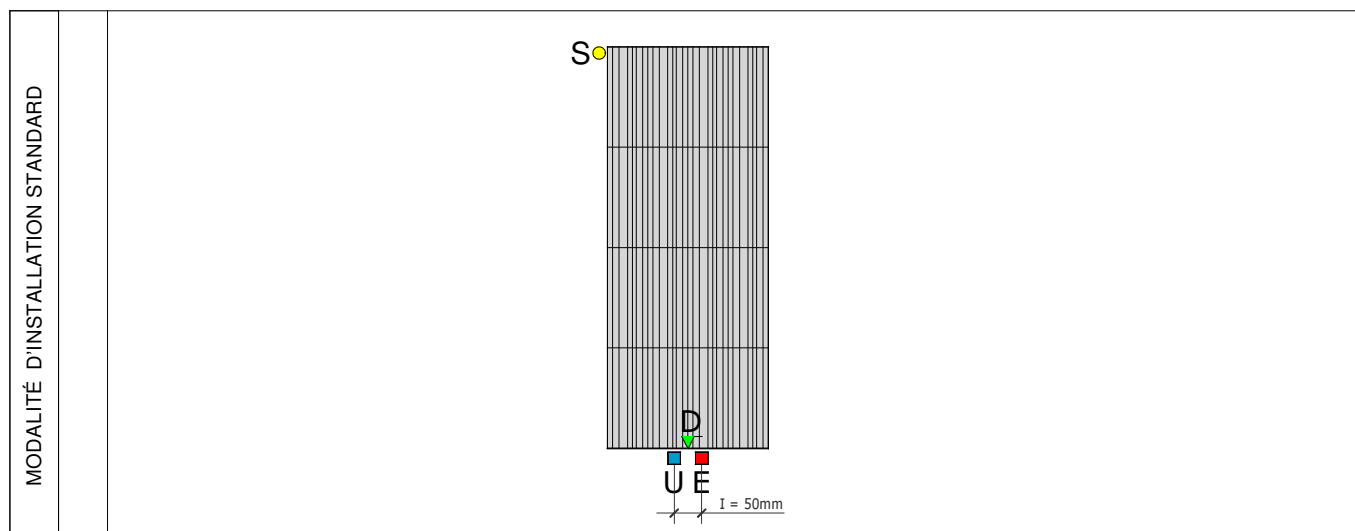
VD 2105-1



HAUTEUR (mm)	Entraxe sur demande "SCHEMA C"	POIDS (kg)	Puissance $\Delta T 50^{\circ}C$ Watt	Dimensions des fixations S (mm)	Distance entrée/sortie et mur L (mm)	Profondeur totale (fixations incluses) M (mm)
300	265	1,36	95	10	46	82
600	565	2,36	192	30	66	102
900	865	3,26	289	40	76	112
1200	1165	4,16	386	50	86	122
1500	1465	5,06	483	LARGEUR PAR ÉLÉMENTS (mm)		
1800	1765	5,96	580	151		
2100	2065	6,86	677			
2400	2365	7,76	774			

MODALITÉ D'INSTALLATION

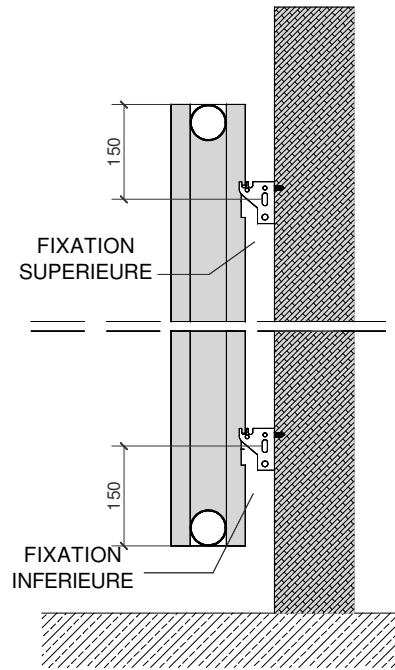
- E = entrée
- U = sortie
- ▲ D = diaphragme
- S = purgeur
- I = entraxe



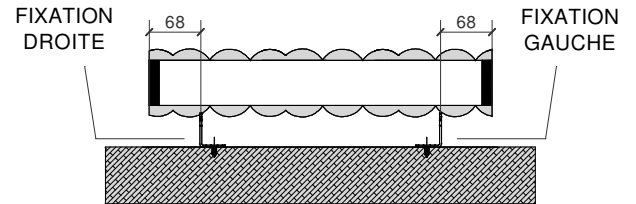
INSTALLATION SPECIALE SUR DEMANDE A	<p>Diagrams A1 and A2 show vertical radiator sections with terminals S (top left), E (bottom left), U (bottom right), and D (center bottom). Dimensions are $I = L + 70\text{mm}$. Diagrams A3 and A4 show similar sections with terminals E (top left), U (top right), U (bottom left), and E (bottom right). Dimensions are $I = L + 70\text{mm}$.</p>
INSTALLATION SPECIALE SUR DEMANDE B	<p>Diagrams B1 and B2 show vertical radiator sections with terminals S (top left), E (bottom left), U (bottom right), and D (center bottom). Dimensions are $I \text{ sur demande}$. Diagrams B3 and B4 show similar sections with terminals U (top left), E (top right), S (bottom left), and S (bottom right). Dimensions are $I \text{ sur demande}$.</p>
INSTALLATION SPECIALE SUR DEMANDE C	<p>Diagrams C1 and C2 show vertical radiator sections with terminals E (top left), S (top right), U (bottom left), and U (bottom right). The height dimension is $I = H - 35 \text{ mm}$.</p>
INSTALLATION SPECIALE SUR DEMANDE	<p>Diagram S1 shows a vertical radiator section with terminals S (top left), D (center bottom), and EU (bottom right). It includes the text "AVEC RACCORD MURAL ENCASTRÉ DÉPORTÉ" and a dimension $I \text{ sur demande}$ for the offset fitting.</p>
INSTALLATION AVEC RACCORDS MONOTUBE	<p>Diagrams M1 and M2 show vertical radiator sections with terminals S (top left) and EU (bottom right).</p>

FIXATIONS MURALES

VERSION VERTICALE



VERSION HORIZONTALE



VERSION ELECTRIQUE

CONFIGURATIONS POSSIBLES

