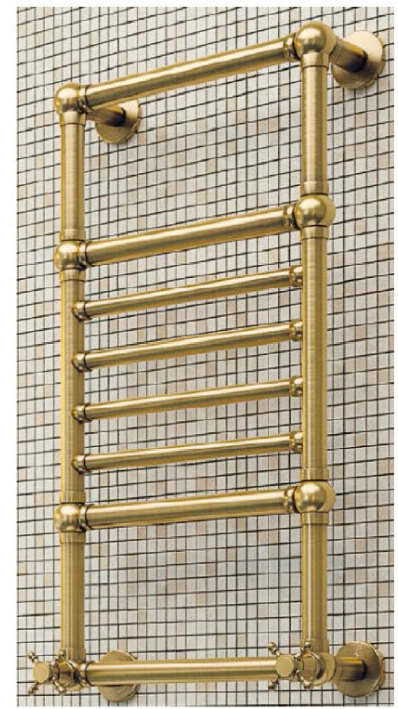
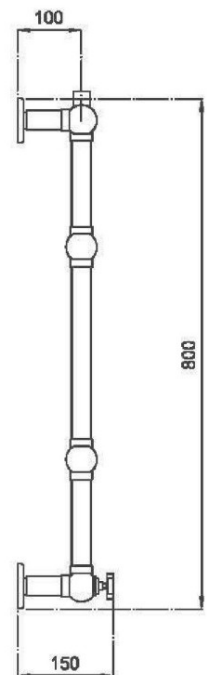
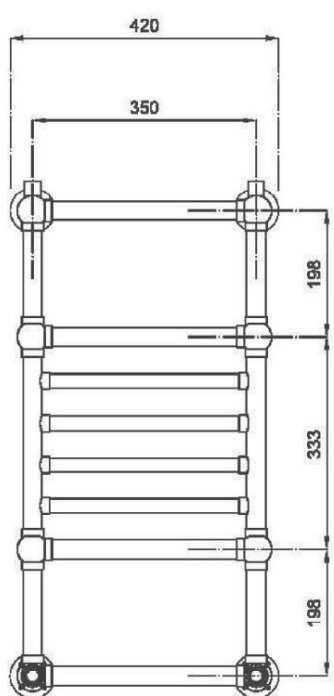


## VD 3945



### VD 3945

<b>Material</b>	brass
<b>Tube</b>	dia. 30x1,5mm 22X1,5
<b>Height</b>	800mm
<b>Width</b>	350mm
<b>Depth</b>	150mm
<b>Interaxis</b>	350 +/- 15mm
<b>Weight</b>	8,800 kgs
<b>Fixing system</b>	s-unions 1/2" G to the water supply
<b>Heat Output</b>	225watts according to EN 442-2
<b>Btu/h</b>	767
<b>Operating pressure</b>	6 Bar/ <b>Max. working</b> pressure 12 Bar

