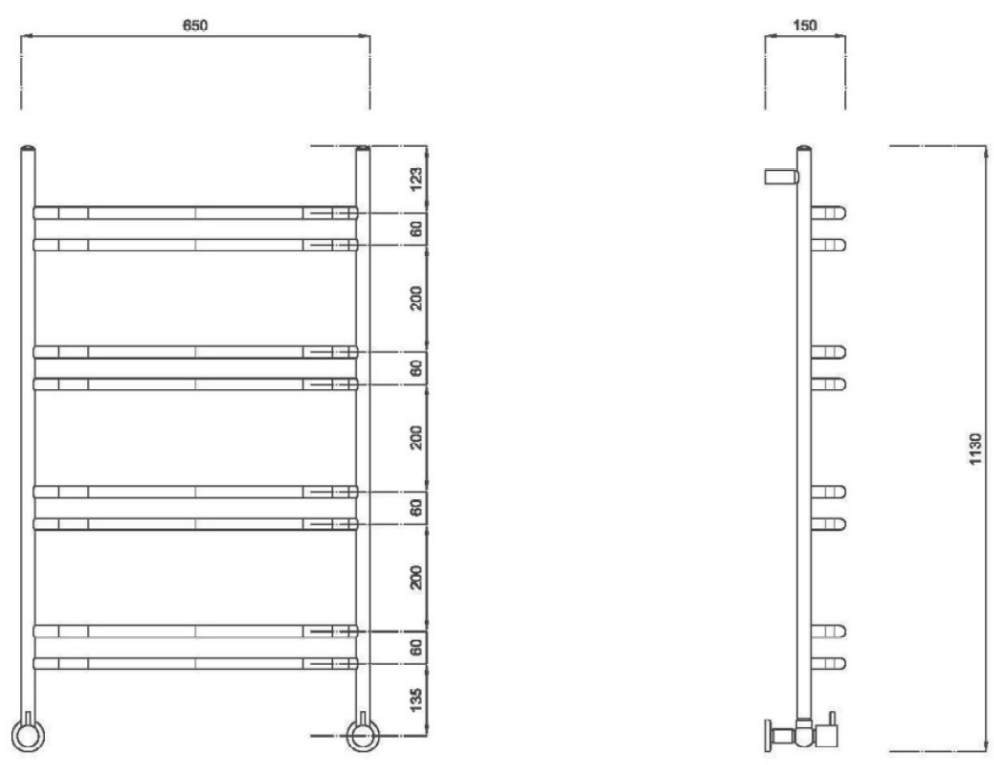


# VD 3953



## VD 3953

|                           |                                     |
|---------------------------|-------------------------------------|
| <b>Material</b>           | brass                               |
| <b>Tube</b>               | dia. 25x1.5mm 22x1,5                |
| <b>Height</b>             | 1130mm                              |
| <b>Width</b>              | 670mm                               |
| <b>Depth</b>              | 150mm                               |
| <b>Interaxis</b>          | 650 +/- 15mm                        |
| <b>Weight</b>             | 6,400 kgs                           |
| <b>Fixing system</b>      | s-unions 1/2" G to the water supply |
| <b>Heat Output</b>        | 215 watts according to EN 442-2     |
| <b>Btu/h</b>              | 733                                 |
| <b>Operating pressure</b> | 6 Bar/Max. working pressure 12 Bar  |

