

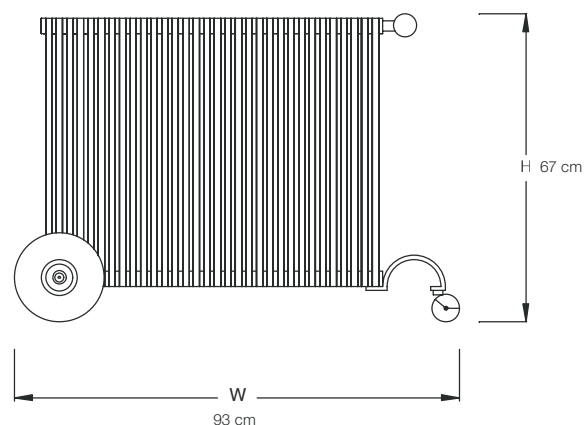
VD 4508

The model is moveable radiator that operates electrically. Model is created

with 14 mm diameter vertical tubular steel elements arranged in two rows, one in front of and one behind the horizontal manifolds.

A 1/8" chrome-plated screw plug is fitted on the head of the upper manifold.

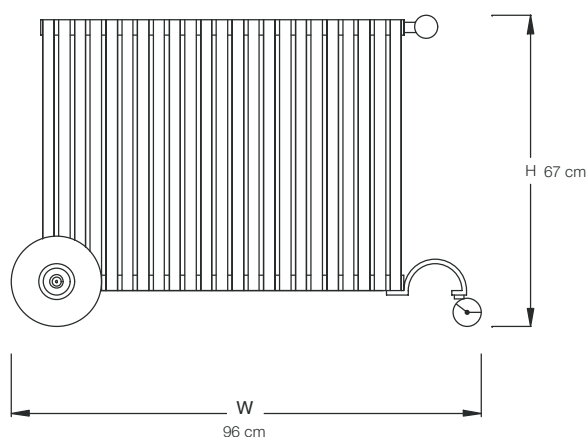
Code	
Diameter of elements (mm)	14
Height (cm)	67
Width (cm)	93
Depth (cm)	19
Watts of Resistor	900



Model is created with 25 mm diameter vertical tubular steel elements arranged in two rows, one in front of and one behind the horizontal manifolds.

A 1/8" chrome-plated screw plug is fitted on the head of the upper manifold.

Code	
Diameter of elements (mm)	25
Height (cm)	67
Width (cm)	96
Depth (cm)	24
Watts of Resistor	900



N.B. This model only operates electrically

The wheels of this model are in wood with protection rubber.

The wheels can be ordered in natural wood, in red or green; moreover you can choose from the following types of resistors: Class 1, Class 2, or room thermostat.