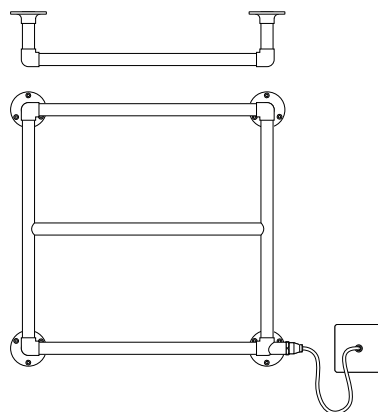
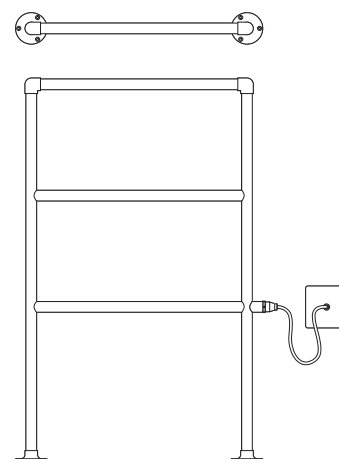




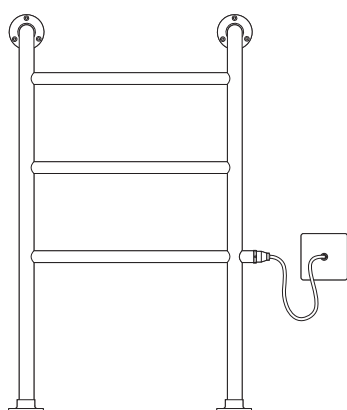
## VD 51 RADELEC



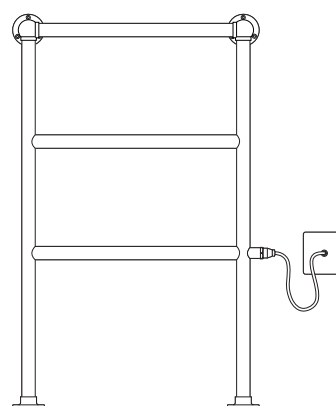
VD 5107



VD 5108



VD 5109



VD 5110



### SPECIFICATIONS

Model	Dimensions Overall (mm)			Tube Ø (mm)	Electric Element Wattage	
	H	W	D		Standard	Electronique

VD 5107	575	575	115	25.4	75	200
VD 5108	915	575	85-165*	25.4	75	200
VD 5109	838	500	138	31.8+25.4	75	200
VD 5110	888	575	140	31.8	75	200