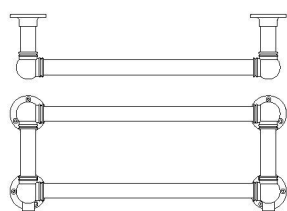
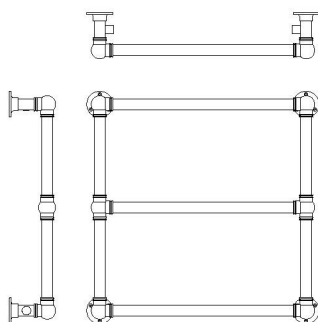


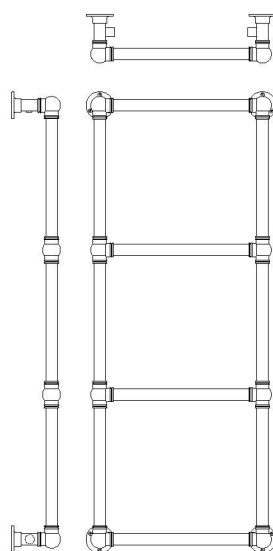
## VD 51 CLASSORG



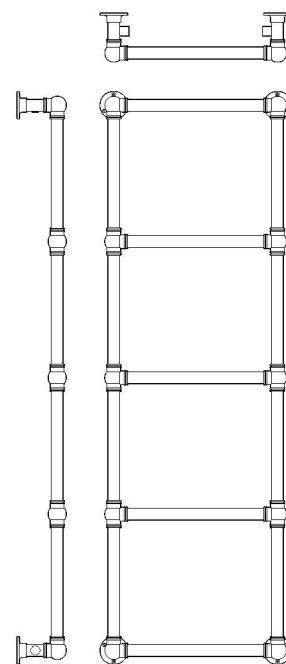
VD 5151



VD 5153 B



VD 5153 A

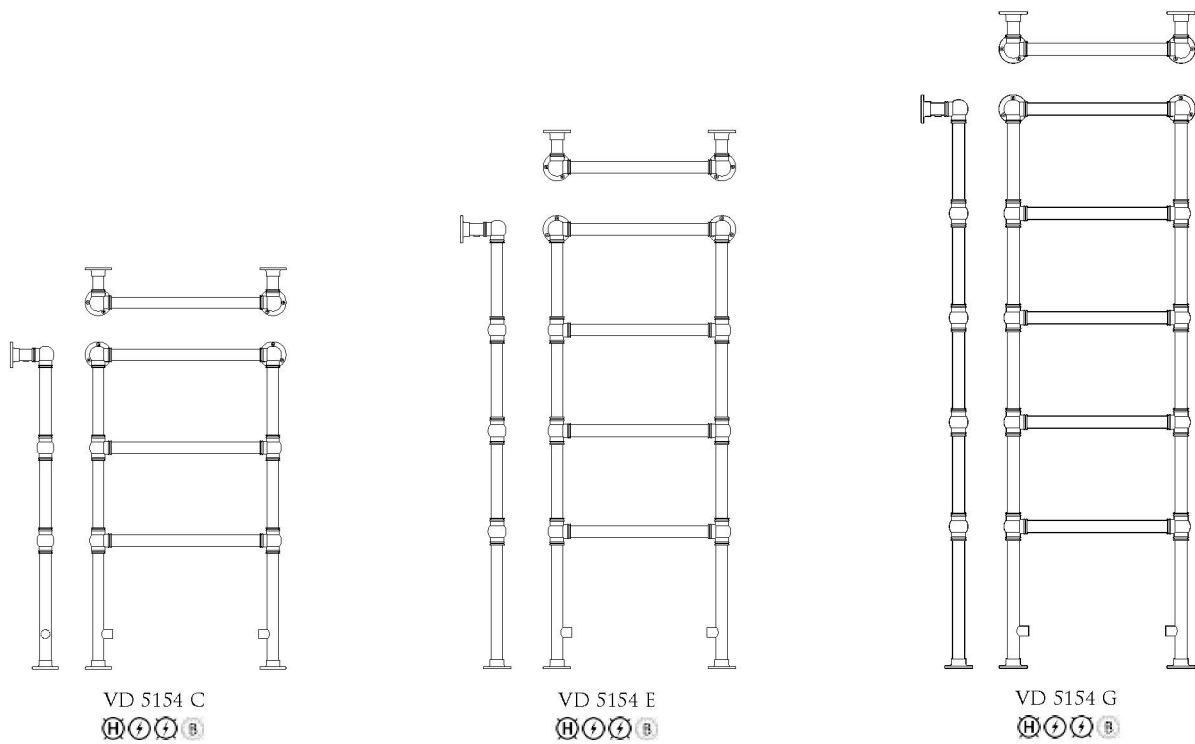


VD 5153 F

### SPECIFICATIONS

Model	Dimensions Overall (mm)			Tube Ø (mm)	Heat Output 50°CΔt		Electric Element Wattage
	H	W	D		Watts	Btu/hr	
VD 5151	235	575	135	31.8	79	270	75
VD 5153 B (3 Bar)	675	675	125	31.8	167	667	100
VD 5153 C (3 Bar)	675	825	125	31.8	190	762	125
VD 5153 D (4 Bar)	750	525	125	31.8	169	577	100
VD 5153A (4 Bar)	1275	525	125	31.8	239	817	125
VD 5153 E (4 Bar)	1275	675	125	31.8	266	907	125
VD 5153 F (5 Bar)	1575	525	125	31.8	292	997	125
VD 5153 G (5 Bar)	1575	675	125	31.8	327	1116	150

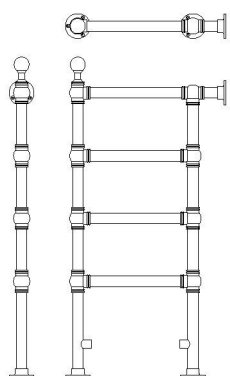
## VD 51 CLASSORG



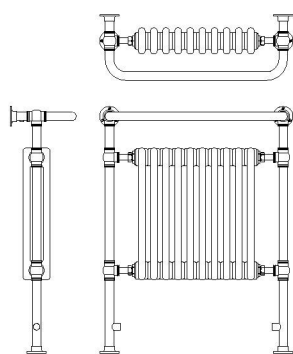
### SPECIFICATIONS

Model	Dimensions Overall (mm)			Tube Ø (mm)	Heat Output 50°CΔt		Electric Element Wattage
	H	W	D		Watts	Btu/hr	
VD 5154 A (3 Bar)	938	575	138	31.8	163	556	75
VD 5154 B (3 Bar)	938	675	138	31.8	195	665	100
VD 5154 C (3 Bar)	938	825	138	31.8	207	708	100
VD 5154 D (4 Bar)	1238	525	138	31.8	239	817	125
VD 5154 E (4 Bar)	1238	675	138	31.8	266	907	125
VD 5154 F (5 Bar)	1538	525	138	31.8	292	997	125
VD 1554 G (5 Bar)	1538	675	138	31.8	327	1116	125

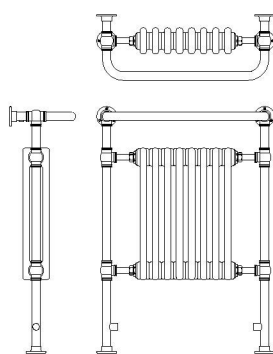
## VD 51 CLASSORG



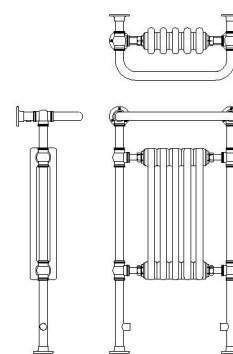
VD 5155



VD 5152 A



VD 5152 B



VD 5152 C

### SPECIFICATIONS

Model	Dimensions Overall (mm)			Tube Ø (mm)	Heat Output 50°CΔt		Electric Element Wattage
	H	W	D		Watts	Btu/hr	
VD 5155	965	488	75	31.8	156	532	100
VD 5152 A	938	735	250	31.8	653	2228	400
VD 5152 B	938	675	250	31.8	554	1890	400
VD 5152 C	938	500	250	31.8	392	1337	200