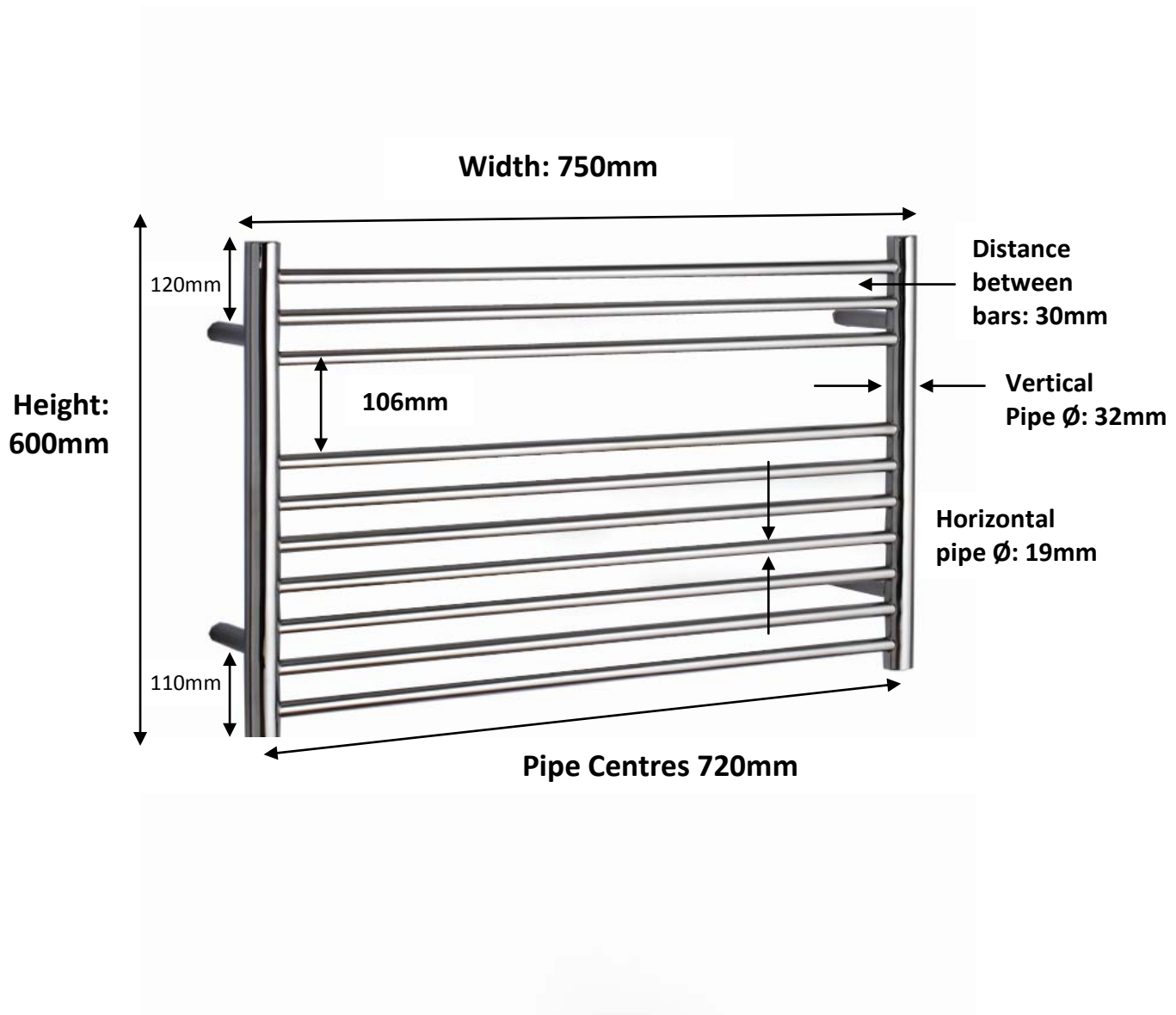




VD 4209 technique

Modèle 750mm :

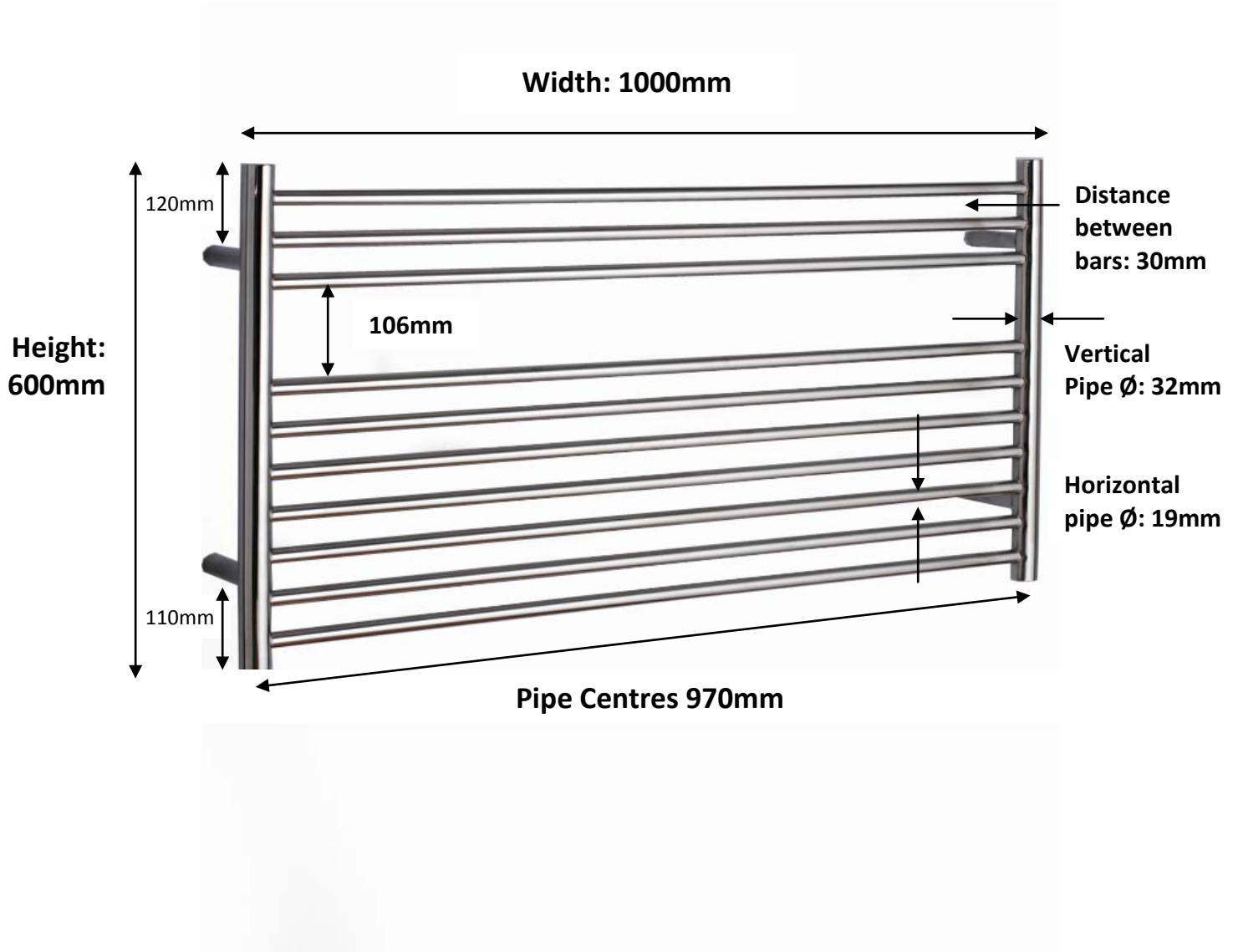


Overall Projection: 117mm*

Pipe Centres from the Wall: 102mm

*When using short brackets, projection and pipe centres from wall will be reduced by 25mm.

Modèle 1000mm :



Overall Projection: 117mm*

Pipe Centres from the Wall: 102mm

*When using short brackets, projection and pipe centres from wall will be reduced by 25mm.

Modèle 1200mm :



Overall Projection: 117mm*

Pipe Centres from the Wall: 102mm

*When using short brackets, projection and pipe centres from wall will be reduced by 25mm.